

Electric powered forklift 48V 1.5 - 2.0 ton

TRAIGO

3 wheel

TRAIGO



TRAIGO.i



Electric powered forklift 1.5 - 1.6 t

| Truck specifications | | | | | 9FBE15T | 9FBEK16T | 9FBE16T | 60-9FBEK16T |
|----------------------|-------------------------|---|---|----------------|-----------------------|-----------------------|-----------------------|-----------------------|
| Identification | 1.1 | Manufacturer | | | Toyota | Toyota | Toyota | Toyota |
| | 1.2 | Model | | | 9FBE15T | 9FBEK16T | 9FBE16T | 60-9FBEK16T |
| | 1.3 | Drive | | | Electric | Electric | Electric | Electric |
| | 1.4 | Operator type | | | Rider seated | Rider seated | Rider seated | Rider seated |
| | 1.5 | Load capacity/rated load | Q | kg | 1500 | 1600 | 1600 | 1600 |
| | 1.6 | Load centre | c | mm | 500 | 500 | 500 | 500 |
| | 1.8 | Load distance, centre of drive axle to fork | x | mm | 317 | 317 | 317 | 317 |
| | 1.9 | Wheelbase | y | mm | 1305 | 1413 | 1521 | 1413 |
| | Weight | 2.1 | Service weight | | kg | 2974 | 3009 | 2985 |
| 2.2 | | Axle load, with load, front/rear | | kg | 3907/567 | 4061/548 | 4037/548 | 3836/542 |
| 2.3 | | Axle load, without load, front/rear | | kg | 1468/1506 | 1536/1473 | 1578/1407 | 1311/1467 |
| Tyres | 3.1 | Tyre - pneumatic (P), pneumatic shaped cushion (SE), solid rubber (R) | | | SE | SE | SE | SE |
| | 3.2 | Tyre size, front | | | 18x7-8 | 18x7-8 | 18x7-8 | 18x7-8 |
| | 3.3 | Tyre size, rear | | | 15x4.1/2x8 | 15x4.1/2x8 | 15x4.1/2x8 | 15x4.1/2x8 |
| | 3.5 | Wheels, number front/rear (x = driven wheels) | | | 2x/2 | 2x/2 | 2x/2 | 2x/2 |
| | 3.6 | Track width, front | b ₁₀ | mm | 905 | 905 | 905 | 905 |
| | 3.7 | Track width, rear | b ₁₁ | mm | 185 | 185 | 185 | 185 |
| | Dimensions | 4.1 | Tilt of mast/fork carriage forward/backward | α/β | deg | 5/7 | 5/7 | 5/7 |
| 4.2 | | Height, mast lowered | h ₁ | mm | 2120 | 2120 | 2120 | 2120 |
| 4.3 | | Free lift | h ₂ | mm | 115 | 115 | 115 | 115 |
| 4.4 | | Lift | h ₃ | mm | 3300 | 3300 | 3300 | 3300 |
| | | Lift height | h ₂₃ | mm | 3335 | 3335 | 3335 | 3335 |
| 4.5 | | Height, mast extended | h ₄ | mm | 3870 | 3870 | 3870 | 3870 |
| 4.7 | | Height of overhead guard (cab) | h ₆ | mm | 2055 | 2055 | 2055 | 2055 |
| 4.8 | | Seat height/stand height | h ₇ | mm | 1065 | 1065 | 1065 | 1065 |
| 4.12 | | Coupling height | h ₁₀ | mm | 550 | 550 | 550 | 550 |
| 4.19 | | Overall length | l ₁ | mm | 2772 | 2880 | 2988 | 2880 |
| 4.20 | | Length to face of forks | l ₂ | mm | 1772 | 1880 | 1988 | 1880 |
| 4.21 | | Overall width | b ₁ | mm | 1060 | 1060 | 1060 | 1060 |
| 4.22 | | Fork dimensions | s/e/l | mm | 35/100/1000 | 35/100/1000 | 35/100/1000 | 35/100/1000 |
| 4.23 | | Fork carriage DIN 15 173, class/type A, B | | | IIA | IIA | IIA | IIA |
| 4.24 | | Fork-carriage width | b ₃ | mm | 920 | 920 | 920 | 920 |
| 4.31 | | Ground clearance, with load, below mast | m ₁ | mm | 80 | 80 | 80 | 80 |
| 4.32 | | Ground clearance, centre of wheelbase | m ₂ | mm | 81 | 81 | 81 | 93 |
| 4.33 | | Aisle width for pallets 1000x1200 crossways | A _{st} | mm | 3102 | 3210 | 3318 | 3210 |
| 4.34 | | Aisle width for pallets 800x1200 lengthways | A _{st} | mm | 3223 | 3331 | 3440 | 3331 |
| 4.35 | | Turning radius | W _a | mm | 1455 | 1563 | 1671 | 1563 |
| 4.36 | Internal turning radius | b ₁₃ | mm | 0 | 0 | 0 | 0 | |
| Performance data | 5.1 | Travel speed, with/without load | | km/h | 16/16 | 16/16 | 16/16 | 16/16 |
| | 5.2 | Lift speed, with/without load Standard Performance | | m/s | 0,45/0,61 0,54/0,75 | 0,43/0,61 0,54/0,75 | 0,43/0,61 0,54/0,75 | 0,43/0,61 0,54/0,75 |
| | 5.3 | Lowering speed, with/without load | | m/s | 0,58/0,57 | 0,58/0,57 | 0,58/0,57 | 0,58/0,57 |
| | 5.5 | Drawbar pull, with/without load S2-60' | | N | 6966 | 6982 | 6982 | 7656 |
| | 5.6 | Max. drawbar pull, with/without load | | N | 12237 | 12266 | 12266 | 13450 |
| | 5.7 | Gradeability, with/without load | | % | 17,6/28 | 17/27,7 | 17,1/28 | 20,1/34,1 |
| | 5.8 | Max. gradeability, with/without load | | % | 24,9/40,3 | 24,1/39,8 | 24,3/40,2 | 28,6/38,2 |
| | 5.9 | Acceleration time, with/without load | | s | 4,5/4,1 | 4,6/4,2 | 4,6/4,2 | 4,6/4,2 |
| | 5.10 | Service brake | | | Hydraulic | Hydraulic | Hydraulic | Hydraulic |
| | Electric motor | 6.1 | Drive motor rating S2 60 min | | kW | 6,6 x 2 | 6,6 x 2 | 6,6 x 2 |
| 6.2 | | Lift motor rating S3 15% Standard Performance | | kW | 11 12,5 | 11 12,5 | 11 12,5 | 11 12,5 |
| 6.3 | | Battery acc. to DIN 43 531/35/36 A, B, C, no | | | 43 531A | 43 531A | 43 531A | no |
| 6.4 | | Battery voltage, nominal capacity K ₅ | | V/Ah | 48/420-460-500 | 48/525-575-625 | 48/630-690-750 | 48/300-420 |
| 6.5 | | Battery weight | | kg | 708 | 856 | 1013 | 240 |
| 6.6 | | Energy consumption acc. to EN16796 Standard Performance | | kWh/h | 3,5 3,3 | 3,7 3,6 | 3,6 3,4 | 3,6 3,4 |
| Other | 8.1 | Type of drive control | | | inverter MOSFET | inverter MOSFET | inverter MOSFET | inverter MOSFET |
| | 8.2 | Operating pressure for attachments | | bar | 183 | 183 | 183 | 183 |
| | 8.3 | Oil volume for attachments | | l/min | 42 | 42 | 42 | 42 |
| | 8.4 | Sound level at the driver's ear according to EN12053 | | dB(A) | 65,8 | 65,8 | 65,8 | 65,8 |

All data are based on table configuration. Other configurations may give other values.
Truck performance and dimensions are nominal and subject to tolerances.
Products and specifications are subject to change without notice.

Mast dimensions and rated capacities

| Model | | | V | | | | | | | | FV | | | | FW | | | | FSV | | | | | FSW | | | | | | | | |
|----------------------------------|-------------------------------------|----------|------|------|------|------|------|------|------|------|------|------|------|------|------|------|------|------|------|------|------|------|------|------|------|------|------|------|------|------|------|------|
| 9FBE15T/9FBEK16T /60-9FBEK16T | Lift height | h_{23} | 3035 | 3335 | 3535 | 3735 | 4035 | 4535 | 5035 | 3035 | 3335 | 3535 | 3735 | 3035 | 3335 | 3535 | 3735 | 4335 | 4535 | 4735 | 5035 | 5535 | 6035 | 4335 | 4535 | 4735 | 5035 | 5535 | 6035 | 6535 | 7035 | 7535 |
| | Lift | h_3 | 3000 | 3300 | 3500 | 3700 | 4000 | 4500 | 5000 | 3000 | 3300 | 3500 | 3700 | 3000 | 3300 | 3500 | 3700 | 4300 | 4500 | 4700 | 5000 | 5500 | 6000 | 4300 | 4500 | 4700 | 5000 | 5500 | 6000 | 6500 | 7000 | 7500 |
| | Height, mast lowered | h_1 | 1970 | 2120 | 2220 | 2380 | 2570 | 2820 | 3070 | 1970 | 2120 | 2220 | 2380 | 2000 | 2150 | 2250 | 2350 | 1970 | 2040 | 2120 | 2220 | 2380 | 2570 | 1980 | 2050 | 2150 | 2250 | 2450 | 2600 | 2800 | 3000 | 3200 |
| | Height, mast extended ¹⁾ | h_4 | 3570 | 3870 | 4070 | 4270 | 4570 | 5070 | 5570 | 3580 | 3880 | 4080 | 4280 | 3555 | 3855 | 4055 | 4255 | 4845 | 5045 | 5245 | 5545 | 6045 | 6545 | 4845 | 5045 | 5245 | 5545 | 6045 | 6545 | 7045 | 7545 | 8045 |
| | Height, mast extended ²⁾ | h_4 | 4220 | 4520 | 4720 | 4920 | 5220 | 5270 | 6220 | 4220 | 4520 | 4720 | 4920 | 4220 | 4520 | 4720 | 4920 | 5520 | 5720 | 5920 | 6220 | 6720 | 7220 | 5520 | 5720 | 5920 | 6220 | 6720 | 7220 | 7720 | 8220 | 8720 |
| | Free lift, without load backrest | h_2 | 80 | 80 | 80 | 80 | 80 | 80 | 80 | 1430 | 1580 | 1680 | 1840 | 1440 | 1590 | 1690 | 1790 | 1460 | 1530 | 1610 | 1710 | 1870 | 2060 | 1430 | 1500 | 1600 | 1700 | 1900 | 2050 | 2250 | 2450 | 2650 |
| Free lift, with load backrest | h_2 | 80 | 80 | 80 | 80 | 80 | 80 | 80 | 750 | 900 | 1000 | 1160 | 780 | 930 | 1030 | 1130 | 750 | 820 | 900 | 1000 | 1160 | 1350 | 760 | 830 | 930 | 1030 | 1230 | 1380 | 1580 | 1780 | 1980 | |

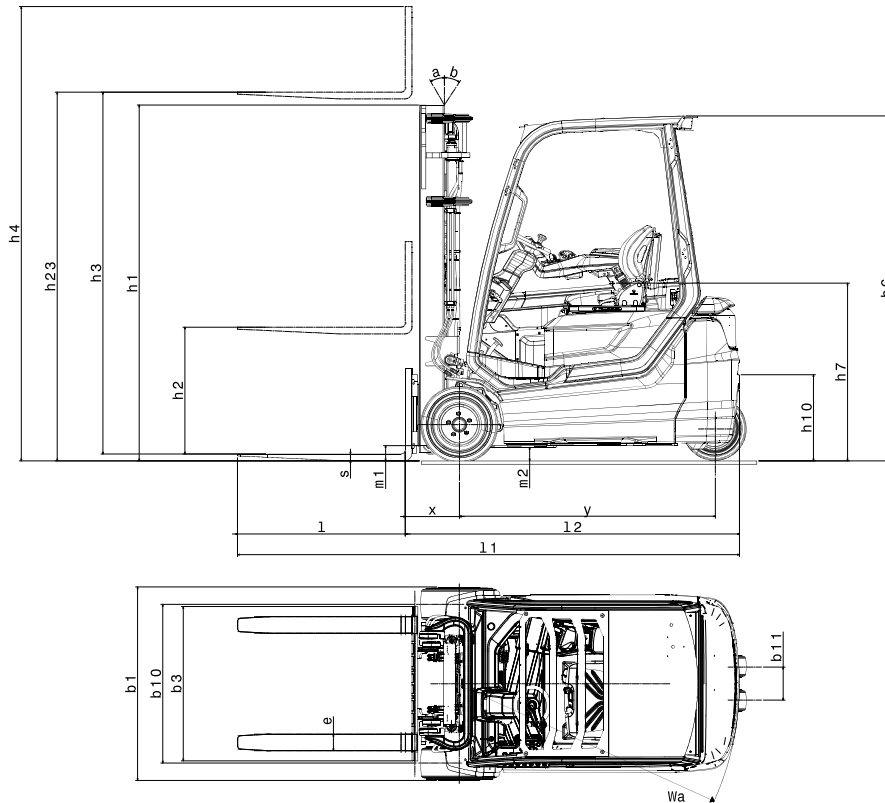
1) Without load backrest

2) With load backrest; Height of standard load backrest is 1220 mm.

| Pneumatic shaped cushion tyre | | | V | | | | | | | | FV | | | | FW | | | | FSV | | | | | FSW | | | | | | | | |
|-------------------------------|----------------------------|-----|------|------|------|------|------|------|------|------|------|------|------|------|------|------|------|------|------|------|------|------|------|------|------|------|------|------|------|------|------|------|
| 9FBE15T | Tilt range, forward | deg | 5 | 5 | 5 | 5 | 5 | 5 | 5 | 5 | 5 | 5 | 5 | 5 | 5 | 5 | 5 | 5 | 5 | 5 | 5 | 5 | 5 | 5 | 5 | 5 | 5 | 5 | 5 | 5 | 5 | 5 |
| | Tilt range, backward | deg | 7(5) | 7(5) | 7(5) | 7(5) | 7(5) | 7(5) | 7(5) | 7(5) | 7(5) | 7(5) | 7(5) | 7(5) | 7(5) | 7(5) | 7(5) | 7(5) | 7(5) | 7(5) | 7(5) | 7(5) | 7(5) | 7(5) | 7(5) | 7(5) | 7(5) | 7(5) | 7(5) | 7(5) | 7(5) | 7(5) |
| | Load capacity at 500 mm LC | kg | 1500 | 1500 | 1500 | 1500 | 1500 | 1500 | 1500 | 1500 | 1500 | 1500 | 1500 | 1500 | 1500 | 1500 | 1500 | 1500 | 1500 | 1500 | 1500 | 1450 | 1100 | 1500 | 1500 | 1500 | 1500 | 1375 | 1300 | 900 | 700 | 525 |
| 9FBE16T | Tilt range, forward | deg | 5 | 5 | 5 | 5 | 5 | 5 | 5 | 5 | 5 | 5 | 5 | 5 | 5 | 5 | 5 | 5 | 5 | 5 | 5 | 5 | 5 | 5 | 5 | 5 | 5 | 5 | 5 | 5 | 5 | 5 |
| | Tilt range, backward | deg | 7(5) | 7(5) | 7(5) | 7(5) | 7(5) | 7(5) | 7(5) | 7(5) | 7(5) | 7(5) | 7(5) | 7(5) | 7(5) | 7(5) | 7(5) | 7(5) | 7(5) | 7(5) | 7(5) | 7(5) | 7(5) | 7(5) | 7(5) | 7(5) | 7(5) | 7(5) | 7(5) | 7(5) | 7(5) | 7(5) |
| | Load capacity at 500 mm LC | kg | 1600 | 1600 | 1600 | 1600 | 1600 | 1600 | 1600 | 1600 | 1600 | 1600 | 1600 | 1600 | 1600 | 1600 | 1600 | 1600 | 1600 | 1600 | 1600 | 1585 | 1450 | 950 | 1600 | 1600 | 1600 | 1600 | 1510 | 1350 | 1050 | 750 |
| 9FBE16T 60-9FBEK16T | Tilt range, forward | deg | 5 | 5 | 5 | 5 | 5 | 5 | 5 | 5 | 5 | 5 | 5 | 5 | 5 | 5 | 5 | 5 | 5 | 5 | 5 | 5 | 5 | 5 | 5 | 5 | 5 | 5 | 5 | 5 | 5 | 5 |
| | Tilt range, backward | deg | 7(5) | 7(5) | 7(5) | 7(5) | 7(5) | 7(5) | 7(5) | 7(5) | 7(5) | 7(5) | 7(5) | 7(5) | 7(5) | 7(5) | 7(5) | 7(5) | 7(5) | 7(5) | 7(5) | 7(5) | 7(5) | 7(5) | 7(5) | 7(5) | 7(5) | 7(5) | 7(5) | 7(5) | 7(5) | 7(5) |
| | Load capacity at 500 mm LC | kg | 1600 | 1600 | 1600 | 1600 | 1600 | 1600 | 1600 | 1600 | 1600 | 1600 | 1600 | 1600 | 1600 | 1600 | 1600 | 1600 | 1600 | 1600 | 1600 | 1600 | 1200 | 1600 | 1600 | 1600 | 1600 | 1600 | 1500 | 1175 | 875 | 650 |

Data in () are for when "Cabin Series" is selected (minimum front windshield).

TRAIGO



Electric powered forklift 1.8 t

| Truck specifications | | | | | 9FBEK18T | 9FBE18T |
|----------------------|-------------------------|---|---|----------------|-----------------------|-----------------------|
| Identification | 1.1 | Manufacturer | | | Toyota | Toyota |
| | 1.2 | Model | | | 9FBEK18T | 9FBE18T |
| | 1.3 | Drive | | | Electric | Electric |
| | 1.4 | Operator type | | | Rider seated | Rider seated |
| | 1.5 | Load capacity/rated load | Q | kg | 1800 | 1800 |
| | 1.6 | Load centre | c | mm | 500 | 500 |
| | 1.8 | Load distance, centre of drive axle to fork | x | mm | 317 | 317 |
| | 1.9 | Wheelbase | Y | mm | 1413 | 1521 |
| | Weight | 2.1 | Service weight | | | 3134 |
| 2.2 | | Axle load, with load, front/rear | | | 4301/583 | 4351/558 |
| 2.3 | | Axle load, without load, front/rear | | | 1540/1594 | 1584/1525 |
| Tyres | 3.1 | Tyre - pneumatic (P), pneumatic shaped cushion (SE), solid rubber (R) | | | SE | SE |
| | 3.2 | Tyre size, front | | | 18x7-8 | 18x7-8 |
| | 3.3 | Tyre size, rear | | | 140/55-9 | 140/55-9 |
| | 3.5 | Wheels, number front/rear (x = driven wheels) | | | 2x2 | 2x2 |
| | 3.6 | Track width, front | b ₁₀ | mm | 905 | 905 |
| | 3.7 | Track width, rear | b ₁₁ | mm | 193 | 193 |
| | Dimensions | 4.1 | Tilt of mast/fork carriage forward/backward | α/β | deg | 5/7 |
| 4.2 | | Height, mast lowered | h ₁ | mm | 2120 | 2120 |
| 4.3 | | Free lift | h ₂ | mm | 115 | 115 |
| 4.4 | | Lift | h ₃ | mm | 3300 | 3300 |
| | | Lift height | h ₂₃ | mm | 3335 | 3335 |
| 4.5 | | Height, mast extended | h ₄ | mm | 3870 | 3870 |
| 4.7 | | Height of overhead guard (cab) | h ₆ | mm | 2055 | 2055 |
| 4.8 | | Seat height/stand height | h ₇ | mm | 1065 | 1065 |
| 4.12 | | Coupling height | h ₁₀ | mm | 550 | 550 |
| 4.19 | | Overall length | l ₁ | mm | 2880 | 2988 |
| 4.20 | | Length to face of forks | l ₂ | mm | 1880 | 1988 |
| 4.21 | | Overall width | b ₁ | mm | 1060 | 1060 |
| 4.22 | | Fork dimensions | s/e/l | mm | 35/100/1000 | 35/100/1000 |
| 4.23 | | Fork carriage DIN 15 173, class/type A, B | | | IIA | IIA |
| 4.24 | | Fork-carriage width | b ₃ | mm | 920 | 920 |
| 4.31 | | Ground clearance, with load, below mast | m ₁ | mm | 80 | 80 |
| 4.32 | | Ground clearance, centre of wheelbase | m ₂ | mm | 81 | 81 |
| 4.33 | | Aisle width for pallets 1000x1200 crossways | A _{st} | mm | 3210 | 3318 |
| 4.34 | | Aisle width for pallets 800x1200 lengthways | A _{st} | mm | 3331 | 3440 |
| 4.35 | Turning radius | W _a | mm | 1563 | 1671 | |
| 4.36 | Internal turning radius | b ₁₃ | mm | 0 | 0 | |
| Performance data | 5.1 | Travel speed, with/without load | | km/h | 16/16 | 16/16 |
| | 5.2 | Lift speed, with/without load Standard Performance | | m/s | 0,42/0,61 0,52/0,75 | 0,42/0,61 0,52/0,75 |
| | 5.3 | Lowering speed, with/without load | | m/s | 0,58/0,57 | 0,58/0,57 |
| | 5.5 | Drawbar pull, with/without load | | N | 7016 | 7016 |
| | 5.6 | Max. drawbar pull, with/without load | | N | 12325 | 12325 |
| | 5.7 | Gradeability, with/without load | | % | 15,8/26,6 | 15,9/26,8 |
| | 5.8 | Max. gradeability, with/without load | | % | 22,5/38,2 | 22,6/38,5 |
| | 5.9 | Acceleration time, with/without load | | s | 4,7/4,3 | 4,7/4,3 |
| | 5.10 | Service brake | | | Hydraulic | Hydraulic |
| | Electric motor | 6.1 | Drive motor rating S2 60 min | | kW | 6,6 x 2 |
| 6.2 | | Lift motor rating S3 15% Standard Performance | | kW | 11 12,5 | 11 12,5 |
| 6.3 | | Battery acc. to DIN 43 531/35/36 A, B, C, no | | | 43 531A | 43 531A |
| 6.4 | | Battery voltage, nominal capacity K ₅ | | V/Ah | 48/525-575-625 | 48/630-690-750 |
| 6.5 | | Battery weight | | kg | 856 | 1013 |
| 6.6 | | Energy consumption acc. to EN16796 Standard Performance | | kWh/h | 3,8 3,6 | 3,8 3,6 |
| Other | 8.1 | Type of drive control | | | inverter MOSFET | inverter MOSFET |
| | 8.2 | Operating pressure for attachments | | bar | 183 | 183 |
| | 8.3 | Oil volume for attachments | | l/min | 42 | 42 |
| | 8.4 | Sound level at the driver's ear according to EN 12 053 | | dB(A) | 65,8 | 65,8 |

All data are based on table configuration. Other configurations may give other values.
Truck performance and dimensions are nominal and subject to tolerances.
Products and specifications are subject to change without notice.

Mast dimensions and rated capacities

| Model | | | V | | | | | | | | FV | | | | FW | | | | FSV | | | | | | FSW | | | | | | | |
|-------------------------------|-------------------------------------|----------|------|------|------|------|------|------|------|------|------|------|------|------|------|------|------|------|------|------|------|------|------|------|------|------|------|------|------|------|------|------|
| 9FBEK18T/9FBE18T | Lift height | h_{23} | 3035 | 3335 | 3535 | 3735 | 4035 | 4535 | 5035 | 3035 | 3335 | 3535 | 3735 | 3035 | 3335 | 3535 | 3735 | 4335 | 4535 | 4735 | 5035 | 5535 | 6035 | 4335 | 4535 | 4735 | 5035 | 5535 | 6035 | 6535 | 7035 | 7535 |
| | Lift | h_3 | 3000 | 3300 | 3500 | 3700 | 4000 | 4500 | 5000 | 3000 | 3300 | 3500 | 3700 | 3000 | 3300 | 3500 | 3700 | 4300 | 4500 | 4700 | 5000 | 5500 | 6000 | 4300 | 4500 | 4700 | 5000 | 5500 | 6000 | 6500 | 7000 | 7500 |
| | Height, mast lowered | h_1 | 1970 | 2120 | 2220 | 2380 | 2570 | 2820 | 3070 | 1970 | 2120 | 2220 | 2380 | 2000 | 2150 | 2250 | 2350 | 1970 | 2040 | 2120 | 2220 | 2380 | 2570 | 1980 | 2050 | 2150 | 2250 | 2450 | 2600 | 2800 | 3000 | 3200 |
| | Height, mast extended ¹⁾ | h_4 | 3570 | 3870 | 4070 | 4270 | 4570 | 5070 | 5570 | 3580 | 3880 | 4080 | 4280 | 3555 | 3855 | 4055 | 4255 | 4845 | 5045 | 5245 | 5545 | 6045 | 6545 | 4845 | 5045 | 5245 | 5545 | 6045 | 6545 | 7045 | 7545 | 8045 |
| | Height, mast extended ²⁾ | h_4 | 4220 | 4520 | 4720 | 4920 | 5220 | 5270 | 6220 | 4220 | 4520 | 4720 | 4920 | 4220 | 4520 | 4720 | 4920 | 5520 | 5720 | 5920 | 6220 | 6720 | 7220 | 5520 | 5720 | 5920 | 6220 | 6720 | 7220 | 7720 | 8220 | 8720 |
| | Free lift, without load backrest | h_2 | 80 | 80 | 80 | 80 | 80 | 80 | 80 | 1430 | 1580 | 1680 | 1840 | 1440 | 1590 | 1690 | 1790 | 1460 | 1530 | 1610 | 1710 | 1870 | 2060 | 1430 | 1500 | 1600 | 1700 | 1900 | 2050 | 2250 | 2450 | 2650 |
| Free lift, with load backrest | h_2 | 80 | 80 | 80 | 80 | 80 | 80 | 80 | 750 | 900 | 1000 | 1160 | 780 | 930 | 1030 | 1130 | 750 | 820 | 900 | 1000 | 1160 | 1350 | 760 | 830 | 930 | 1030 | 1230 | 1380 | 1580 | 1780 | 1980 | |

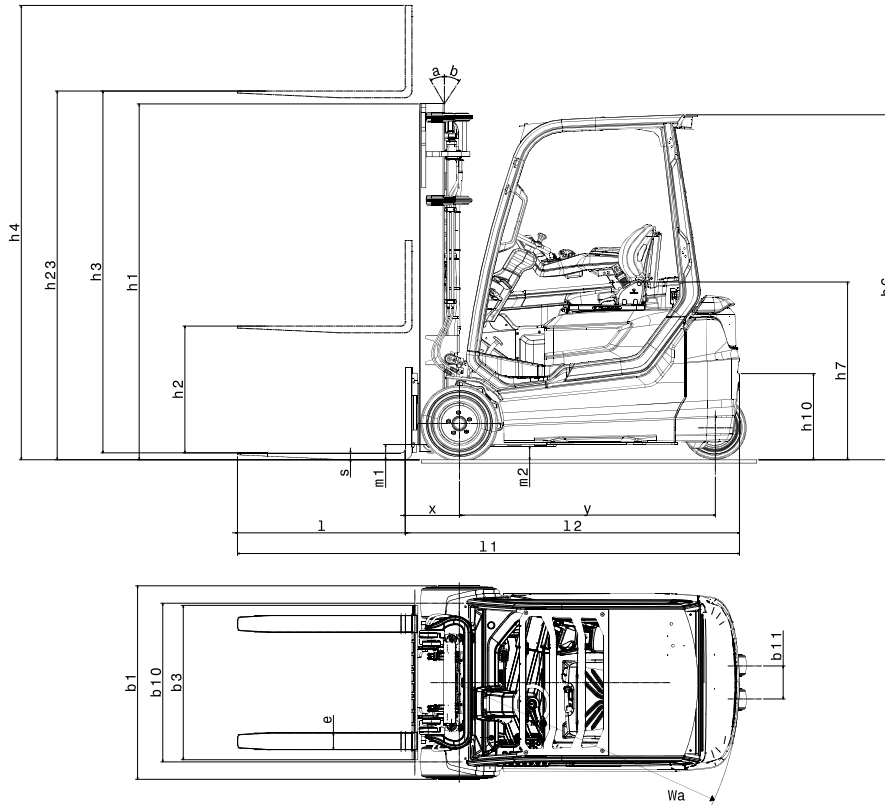
1) Without load backrest

2) With load backrest: Height of standard load backrest is 1220 mm.

| Pneumatic shaped cushion tyre | | | V | | | | | | | | FV | | | | FW | | | | FSV | | | | | | FSW | | | | | | | |
|-------------------------------|----------------------------|-----|------|------|------|------|------|------|------|------|------|------|------|------|------|------|------|------|------|------|------|------|------|------|------|------|------|------|------|------|------|------|
| 9FBEK18T | Tilt range, forward | deg | 5 | 5 | 5 | 5 | 5 | 5 | 5 | 5 | 5 | 5 | 5 | 5 | 5 | 5 | 5 | 5 | 5 | 5 | 5 | 5 | 5 | 5 | 5 | 5 | 5 | 5 | 5 | 5 | 5 | |
| | Tilt range, backward | deg | 7(5) | 7(5) | 7(5) | 7(5) | 7(5) | 7(5) | 7(5) | 7(5) | 7(5) | 7(5) | 7(5) | 7(5) | 7(5) | 7(5) | 7(5) | 7(5) | 7(5) | 7(5) | 7(5) | 5 | 5 | 7(5) | 7(5) | 7(5) | 7(5) | 7(5) | 5 | 5 | 5 | 5 |
| | Load capacity at 500 mm LC | kg | 1800 | 1800 | 1800 | 1800 | 1800 | 1800 | 1800 | 1800 | 1800 | 1800 | 1800 | 1800 | 1800 | 1800 | 1800 | 1800 | 1800 | 1800 | 1800 | 1650 | 1500 | 1125 | 1800 | 1800 | 1800 | 1800 | 1550 | 1400 | 1050 | 800 |
| 9FBE18T | Tilt range, forward | deg | 5 | 5 | 5 | 5 | 5 | 5 | 5 | 5 | 5 | 5 | 5 | 5 | 5 | 5 | 5 | 5 | 5 | 5 | 5 | 5 | 5 | 5 | 5 | 5 | 5 | 5 | 5 | 5 | 5 | |
| | Tilt range, backward | deg | 7(5) | 7(5) | 7(5) | 7(5) | 7(5) | 7(5) | 7(5) | 7(5) | 7(5) | 7(5) | 7(5) | 7(5) | 7(5) | 7(5) | 7(5) | 7(5) | 7(5) | 7(5) | 7(5) | 5 | 5 | 7(5) | 7(5) | 7(5) | 7(5) | 7(5) | 5 | 5 | 5 | 7(5) |
| | Load capacity at 500 mm LC | kg | 1800 | 1800 | 1800 | 1800 | 1800 | 1800 | 1800 | 1800 | 1800 | 1800 | 1800 | 1800 | 1800 | 1800 | 1800 | 1800 | 1800 | 1800 | 1800 | 1500 | 1200 | 1800 | 1800 | 1800 | 1800 | 1630 | 1500 | 1200 | 890 | 700 |

Data in () are for when "Cabin Series" is selected (minimum front windshield).

TRAIGO



Electric powered forklift 2.0 t

| Truck specifications | | | | | 9FBE20T | 60-9FBE20T |
|----------------------|-------------------------|---|---|----------------|-----------------------|-----------------------|
| Identification | 1.1 | Manufacturer | | | Toyota | Toyota |
| | 1.2 | Model | | | 9FBE20T | 60-9FBE20T |
| | 1.3 | Drive | | | Electric | Electric |
| | 1.4 | Operator type | | | Rider seated | Rider seated |
| | 1.5 | Load capacity/rated load | Q | kg | 2000 | 2000 |
| | 1.6 | Load centre | c | mm | 500 | 500 |
| | 1.8 | Load distance, centre of drive axle to fork | x | mm | 317 | 317 |
| | 1.9 | Wheelbase | y | mm | 1521 | 1521 |
| Weight | 2.1 | Service weight | | | 3312 | 3095 |
| | 2.2 | Axle load, with load, front/rear | | | 4715/597 | 4478/617 |
| | 2.3 | Axle load, without load, front/rear | | | 1640/1672 | 1372/1723 |
| Tyres | 3.1 | Tyre - pneumatic (P), pneumatic shaped cushion (SE), solid rubber (R) | | | SE | SE |
| | 3.2 | Tyre size, front | | | 200/50-10 | 200/50-10 |
| | 3.3 | Tyre size, rear | | | 140/55-9 | 140/55-9 |
| | 3.5 | Wheels, number front/rear (x = driven wheels) | | | 2x2 | 2x2 |
| | 3.6 | Track width, front | b ₁₀ | mm | 946 | 946 |
| | 3.7 | Track width, rear | b ₁₁ | mm | 193 | 193 |
| | Dimensions | 4.1 | Tilt of mast/fork carriage forward/backward | α/β | deg | 5/7 |
| 4.2 | | Height, mast lowered | h ₁ | mm | 2120 | 2120 |
| 4.3 | | Free lift | h ₂ | mm | 115 | 115 |
| 4.4 | | Lift | h ₃ | mm | 3300 | 3300 |
| | | Lift height | h ₂₃ | mm | 3335 | 3335 |
| 4.5 | | Height, mast extended | h ₄ | mm | 3870 | 3870 |
| 4.7 | | Height of overhead guard (cab) | h ₆ | mm | 2055 | 2055 |
| 4.8 | | Seat height/stand height | h ₇ | mm | 1065 | 1065 |
| 4.12 | | Coupling height | h ₁₀ | mm | 550 | 550 |
| 4.19 | | Overall length | l ₁ | mm | 2988 | 2988 |
| 4.20 | | Length to face of forks | l ₂ | mm | 1988 | 1988 |
| 4.21 | | Overall width | b ₁ | mm | 1152 | 1152 |
| 4.22 | | Fork dimensions | s/e/l | mm | 35/120/1000 | 35/120/1000 |
| 4.23 | | Fork carriage DIN 15 173, class/type A, B | | | IIA | IIA |
| 4.24 | | Fork-carriage width | b ₃ | mm | 920 | 920 |
| 4.31 | | Ground clearance, with load, below mast | m ₁ | mm | 90 | 90 |
| 4.32 | | Ground clearance, centre of wheelbase | m ₂ | mm | 81 | 93 |
| 4.33 | | Aisle width for pallets 1000x1200 crossways | A _{st} | mm | 3318 | 3318 |
| 4.34 | | Aisle width for pallets 800x1200 lengthways | A _{st} | mm | 3440 | 3440 |
| 4.35 | | Turning radius | W _a | mm | 1671 | 1671 |
| 4.36 | Internal turning radius | b ₁₃ | mm | 0 | 0 | |
| Performance data | 5.1 | Travel speed, with/without load | | km/h | 16/16 | 16/16 |
| | 5.2 | Lift speed, with/without load Standard Performance | | m/s | 0,38/0,54 0,44/0,64 | 0,38/0,54 0,44/0,64 |
| | 5.3 | Lowering speed, with/without load | | m/s | 0,52/0,5 | 0,52/0,5 |
| | 5.5 | Drawbar pull, with/without load | | N | 6757 | 7410 |
| | 5.6 | Max. drawbar pull, with/without load | | N | 11872 | 13017 |
| | 5.7 | Gradeability, with/without load | | % | 14/24,1 | 16,4/29,2 |
| | 5.8 | Max. gradeability, with/without load | | % | 19,9/34,4 | 23,3/35,4 |
| | 5.9 | Acceleration time, with/without load | | s | 4,7/4,3 | 4,7/4,3 |
| | 5.10 | Service brake | | | Hydraulic | Hydraulic |
| | Electric motor | 6.1 | Drive motor rating S2 60 min | | kW | 6,6 x 2 |
| 6.2 | | Lift motor rating S3 15% Standard Performance | | kW | 11 12,5 | 11 12,5 |
| 6.3 | | Battery acc. to DIN 43 531/35/36 A, B, C, no | | | 43 531A | no |
| 6.4 | | Battery voltage, nominal capacity K ₅ | | V/Ah | 48/630-690-750 | 48/300-420 |
| 6.5 | | Battery weight | | kg | 1013 | 240 |
| 6.6 | | Energy consumption acc. to EN16796 Standard Performance | | kWh/h | 3,9 3,7 | 3,8 3,7 |
| Other | 8.1 | Type of drive control | | | Inverter MOSFET | Inverter MOSFET |
| | 8.2 | Operating pressure for attachments | | bar | 183 | 183 |
| | 8.3 | Oil volume for attachments | | l/min | 42 | 42 |
| | 8.4 | Sound level at the driver's ear according to EN12053 | | dB(A) | 65,8 | 65,8 |

All data are based on table configuration. Other configurations may give other values.
Truck performance and dimensions are nominal and subject to tolerances.
Products and specifications are subject to change without notice.

Mast dimensions and rated capacities

| Model | | | V | | | | | | | | FV | | | | FW | | | | FSV | | | | | | FSW | | | | | | | |
|-------------------------------|-------------------------------------|----------|------|------|------|------|------|------|------|------|------|------|------|------|------|------|------|------|------|------|------|------|------|------|------|------|------|------|------|------|------|------|
| 9FBZ0T/60-9FBZ0T | Lift height | h_{23} | 3035 | 3335 | 3535 | 3735 | 4035 | 4535 | 5035 | 3035 | 3335 | 3535 | 3735 | 3035 | 3335 | 3535 | 3735 | 4335 | 4535 | 4735 | 5035 | 5535 | 6035 | 4335 | 4535 | 4735 | 5035 | 5535 | 6035 | 6535 | 7035 | 7535 |
| | Lift | h_3 | 3000 | 3300 | 3500 | 3700 | 4000 | 4500 | 5000 | 3000 | 3300 | 3500 | 3700 | 3000 | 3300 | 3500 | 3700 | 4300 | 4500 | 4700 | 5000 | 5500 | 6000 | 4300 | 4500 | 4700 | 5000 | 5500 | 6000 | 6500 | 7000 | 7500 |
| | Height, mast lowered | h_1 | 1970 | 2120 | 2220 | 2380 | 2570 | 2820 | 3070 | 1970 | 2120 | 2220 | 2380 | 2000 | 2150 | 2250 | 2350 | 1970 | 2040 | 2120 | 2220 | 2380 | 2570 | 1980 | 2050 | 2150 | 2250 | 2450 | 2600 | 2800 | 3000 | 3200 |
| | Height, mast extended ¹⁾ | h_4 | 3570 | 3870 | 4070 | 4270 | 4570 | 5070 | 5570 | 3580 | 3880 | 4080 | 4280 | 3555 | 3855 | 4055 | 4255 | 4845 | 5045 | 5245 | 5545 | 6045 | 6545 | 4845 | 5045 | 5245 | 5545 | 6045 | 6545 | 7045 | 7545 | 8045 |
| | Height, mast extended ²⁾ | h_4 | 4220 | 4520 | 4720 | 4920 | 5220 | 5270 | 6220 | 4220 | 4520 | 4720 | 4920 | 4220 | 4520 | 4720 | 4920 | 5520 | 5720 | 5920 | 6220 | 6720 | 7220 | 5520 | 5720 | 5920 | 6220 | 6720 | 7220 | 7720 | 8220 | 8720 |
| | Free lift, without load backrest | h_2 | 80 | 80 | 80 | 80 | 80 | 80 | 80 | 1430 | 1580 | 1680 | 1840 | 1440 | 1590 | 1690 | 1790 | 1460 | 1530 | 1610 | 1710 | 1870 | 2060 | 1430 | 1500 | 1600 | 1700 | 1900 | 2050 | 2250 | 2450 | 2650 |
| Free lift, with load backrest | h_2 | 80 | 80 | 80 | 80 | 80 | 80 | 80 | 750 | 900 | 1000 | 1160 | 780 | 930 | 1030 | 1130 | 750 | 820 | 900 | 1000 | 1160 | 1350 | 760 | 830 | 930 | 1030 | 1230 | 1380 | 1580 | 1780 | 1980 | |

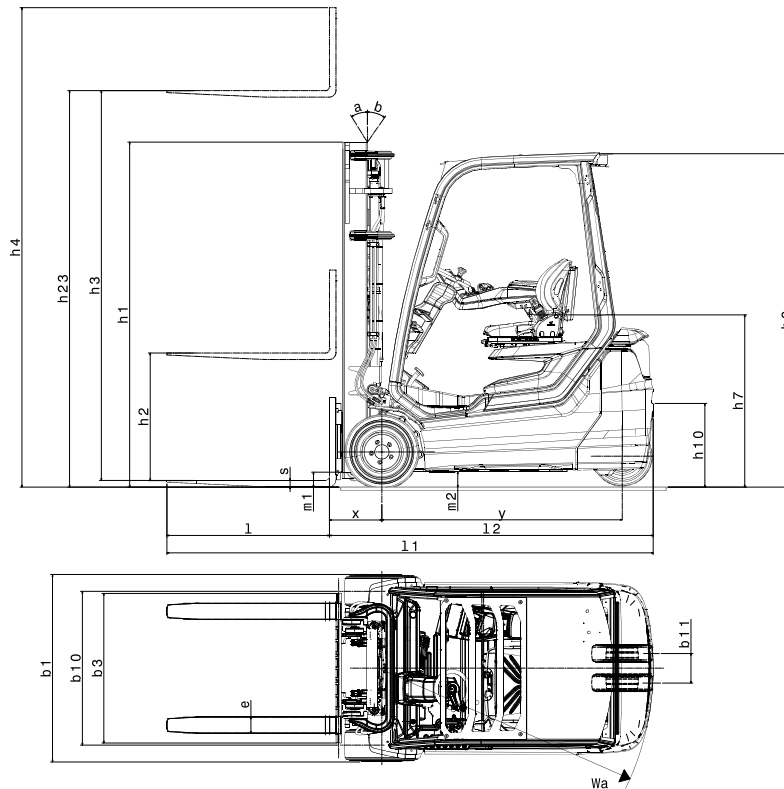
1) Without load backrest

2) With load backrest: Height of standard load backrest is 1220 mm.

| Pneumatic shaped cushion tyre | | | V | | | | | | | | FV | | | | FW | | | | FSV | | | | | | FSW | | | | | | | |
|-------------------------------|----------------------------|-----|------|------|------|------|------|------|------|------|------|------|------|------|------|------|------|------|------|------|------|------|------|------|------|------|------|------|------|------|------|-----|
| 9FBZ0T/60-9FBZ0T | Tilt range, forward | deg | 5 | 5 | 5 | 5 | 5 | 5 | 5 | 5 | 5 | 5 | 5 | 5 | 5 | 5 | 5 | 5 | 5 | 5 | 5 | 5 | 5 | 5 | 5 | 5 | 5 | 5 | 5 | 5 | 5 | |
| | Tilt range, backward | deg | 7(5) | 7(5) | 7(5) | 7(5) | 7(5) | 7(5) | 7(5) | 7(5) | 7(5) | 7(5) | 7(5) | 7(5) | 7(5) | 7(5) | 7(5) | 7(5) | 7(5) | 7(5) | 7(5) | 5 | 5 | 7(5) | 7(5) | 7(5) | 7(5) | 5 | 5 | 5 | 5 | |
| | Load capacity at 500 mm LC | kg | 2000 | 2000 | 2000 | 2000 | 2000 | 2000 | 1900 | 2000 | 2000 | 2000 | 2000 | 2000 | 2000 | 2000 | 2000 | 1950 | 1950 | 1900 | 1800 | 1650 | 1525 | 1950 | 1950 | 1900 | 1900 | 1900 | 1800 | 1250 | 950 | 750 |
| 60-9FBZ0T | Tilt range, forward | deg | 5 | 5 | 5 | 5 | 5 | 5 | 5 | 5 | 5 | 5 | 5 | 5 | 5 | 5 | 5 | 5 | 5 | 5 | 5 | 5 | 5 | 5 | 5 | 5 | 5 | 5 | 5 | 5 | 5 | |
| | Tilt range, backward | deg | 7(5) | 7(5) | 7(5) | 7(5) | 7(5) | 7(5) | 7(5) | 7(5) | 7(5) | 7(5) | 7(5) | 7(5) | 7(5) | 7(5) | 7(5) | 7(5) | 7(5) | 7(5) | 7(5) | 5 | 5 | 7(5) | 7(5) | 7(5) | 7(5) | 5 | 5 | 5 | 5 | |
| | Load capacity at 500 mm LC | kg | 2000 | 2000 | 2000 | 2000 | 2000 | 2000 | 1900 | 2000 | 2000 | 2000 | 2000 | 2000 | 2000 | 2000 | 2000 | 1950 | 1950 | 1900 | 1800 | 1650 | 1530 | 1950 | 1950 | 1900 | 1900 | 1900 | 1800 | 1370 | 1050 | 750 |

Data in () are for when "Cabin Series" is selected (minimum front windshield).

TRAIGO*.i*



Standard equipments:

- Toyota SAS (System of Active Stability)
- SyncoDrive from Toyota
- Wet disc brakes
- Automatic parking brake
- Electric new design steering and telescopic column
- Operator presence sensing system (OPS)
- Toyota ORS seat (Operator Restraint System)
- Seat mounted minilevers
- Wide visible mast (V3300 mm)
- Long forks (length:1000 mm)
- Long forkbar (length: 920 mm)
- 3 way valves (A400)
- Narrow brake pedal
- Pneumatic shaped cushion tyres
- Digital Multifunction display with wheel indicator
- Adjustable tilt steering column
- Full floating driver's compartment
- Shockless landing lift
- Seatbelt lock recognition linked with OPS
- Orange seatbelt
- Battery door opening sensor (not available for 60-models)
- Remaining operating time indicator on main display